

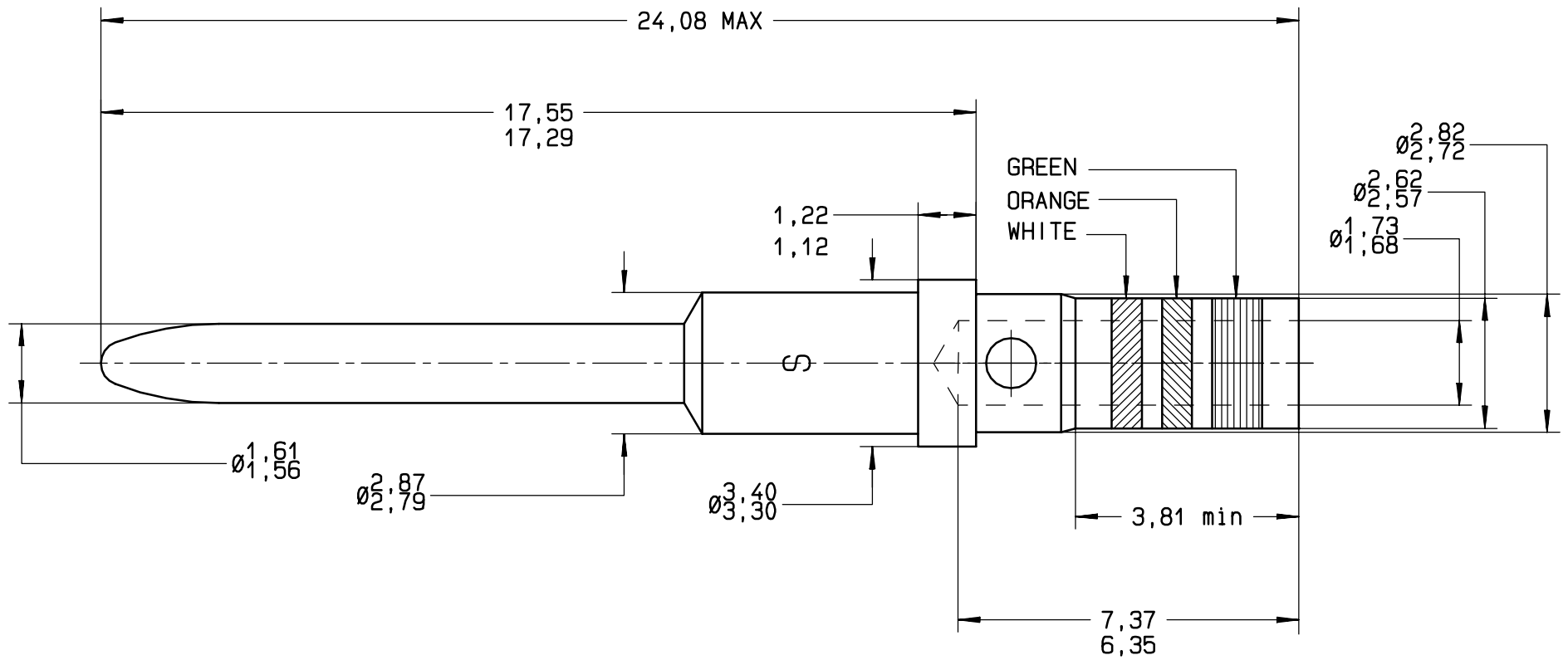


Series
TCX

SIZE 16 CRIMP REMOVABLE PIN CONTACT
JN1123 C P 16

Issue:
01 MARCH 2002

Page
1 / 1



MATERIAL : LEADED NICKEL COPPER (C97)

FINISH : .00005 INCH OF GOLD PER MIL-G-45204 TYPE I OR II GRADE C OR D
CLASS 1 OVER NICKEL PER QQ-N-290

WIRES ACCOMODATED : AWG 16-18-20
INSULATEUR DIAMETER : 2,03 MAX - 1,21 MIN
STRIP LENGTH : 6,0

TOOLING :
CRIMPING TOOL : M22520/1-01 RADIALL 282 291
SELECTOR POSITION : 6 FOR AWG 16
5 FOR AWG 18
4 FOR AWG 20

POSITIONER : M22520/1-02 RADIALL 282 972
INSERTION AND EXTRACTION TOOL : M81969/1-03 RADIALL 282 546

This information is given as an indication. In the continual goal to improve our products, we reserve the right to make any modifications judged necessary.

4112-9610

CREATION
PEN: M970106323A
NOM: COUTHON
DATE: 01 MARCH 2002
APPR.:
Issue	Revisions		Name	Approved

RADIALL[®]

101, rue Philibert Hoffmann Z.I. Ouest
93116 ROSNY/BOIS Cedex (France)
Tl.: 01 49 35 35 35
Fax.: 01 48 54 63 63
Tlax: RADIA 235220